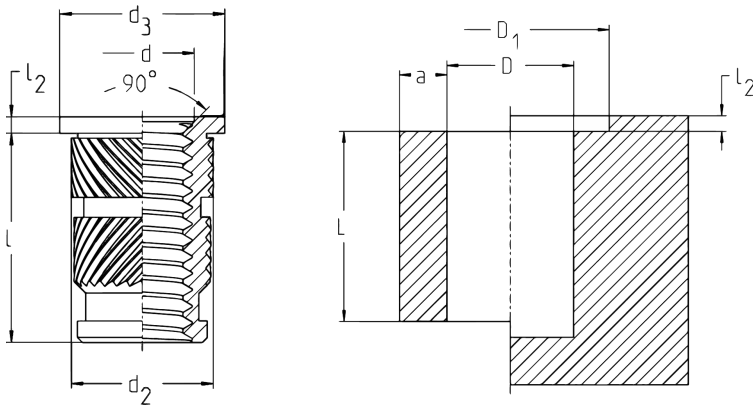


SONICSERT®

Brass | Type 0734 | flange

Advantages:

- Suitable for thermoplastic parts
- Especially designed for ultrasonic installation
- Screw-locked and low-tension anchoring
- High pull-out values
- Type 0730 can be installed from both sides. Advantages for automatic feed, since no directional orientation is required



Diameter (d)	d ₃ nominal size	Length (l) nominal size	a min.	l ₂	D1	Outer diameter (d2)	L min.
M 2	5	4.0	2.0	0.6	5.2	3.6	4.5
M 2.5	6	5.8	2.3	0.6	6.2	4.6	6.5
M 3	6	5.8	2.3	0.6	6.2	4.6	6.5
M 4	8	8.2	2.5	0.8	8.2	6.3	9.0
M 5	8.5	9.5	2.7	1.0	8.7	7	10.5
M 6	10	12.7	3.0	1.0	10.2	8.6	14.0
M 8	12	12.7	3.5	1.0	12.2	10.2	14.0

All technical data refer to the measure mm

