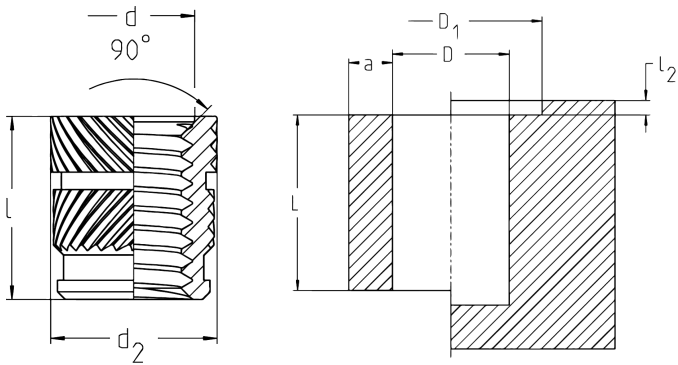


SONICSERT®

Brass | Typ 0733 | standard

Advantages:

- Suitable for thermoplastic parts
- Especially designed for ultrasonic installation
- Screw-locked and low-tension anchoring
- High pull-out values
- Type 0730 can be installed from both sides. Advantages for automatic feed, since no directional orientation is required



Diameter (d)	d ₃ nominal size	Length (l) nominal size	a min.	l ₂	D1	Outer diameter (d2)	L min.
M 2	5	4.0	2.0	0.6	5.2	3.6	4.5
M 2.5	6	5.8	2.3	0.6	6.2	4.6	6.5
M 3	6	5.8	2.3	0.6	6.2	4.6	6.5
M 3.5	7	7.2	2.5	0.8	7.2	5.4	8.0
M 4	–	7.2	2.5	–	8.2	6.3	8.0
	8	8.2		0.8			9.0
M 5	–	8.2	2.7	–	8.7	7	9.0
	8.5	9.5		1.0			10.5
M 6	–	9.5	3.0	–	10.2	8.6	10.5
	10	12.7		1.0			14.0
M 8	12	12.7	3.5	1.0	12.2	10.2	14.0

All technical data refer to the measure mm

