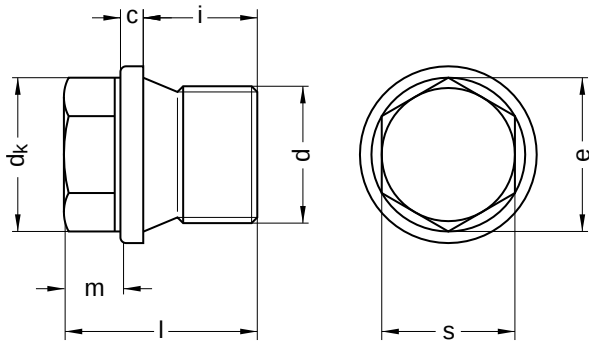
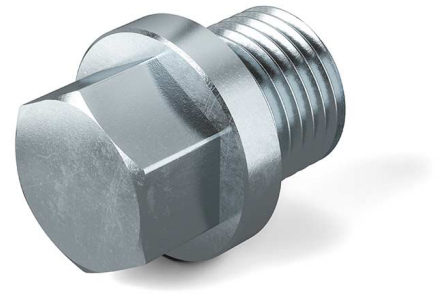


DIN 910
Locking screws

Hexagon head with flange

Steel | zinc-plated, thick-film passivated (VZD) | Cr(VI)-free | Cylindrical metric fine thread



Diameter (d)	c		dk nominal size	i	m nominal size	e min.	s nominal size	Tool size
	nominal size	max.						
M 10x1	3	3.5	14	8	6	10.89	10	SW 10
M 12x1.5	3	3.5	17	12	6	14.20	13	SW 13
M 14x1.5	3	3.5	19	12	6	14.20	13	SW 13
M 16x1.5	3	3.5	21	12	6	17.59	16	SW 17
M 18x1.5	4	4.5	23	12	8	17.59	16	SW 17
M 20x1.5	4	4.5	25	14	8	19.85	18	SW 19
M 22x1.5	4	4.5	27	14	8	19.85	18	SW 19
M 24x1.5	4	4.5	29	14	9	22.78	21	SW 22

Length (l) nominal size	Length (l) nominal size
17	24
21	26
	27

All technical data refer to the measure mm



DIN 910
Locking screws

Hexagon head with flange

Steel | zinc-plated, thick-film passivated (VZD) | Cr(VI)-free | Cylindrical metric fine thread

Diameter (d)	Length (l)				
	17	21	24	26	27
M 10x1	●				
M 12x1.5		●			
M 14x1.5		●			
M 16x1.5		●			
M 18x1.5			●		
M 20x1.5				●	
M 22x1.5				●	
M 24x1.5					●

• Combinations available in the eShop | Other sizes on request

All technical data refer to the measure mm

