

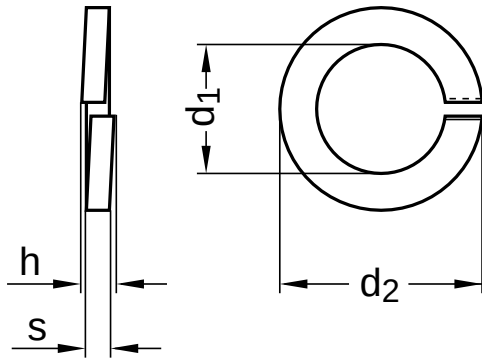
**DIN 7980**

**Spring washers**

For cylinder screws

Stainless steel A2 | Cr(VI)-free

Further information: Norm has been withdrawn without replacement



Diameter (d)	d <sub>1</sub>		d <sub>2</sub> max.	h		r nominal size	s		
	min.	max.		min.	max.		nominal size	min.	max.
3	3.1	3.4	5.6	2.0	2.36	0.2	1.0	0.90	1.10
4	4.1	4.4	7.0	2.4	2.83	0.2	1.2	1.10	1.30
5	5.1	5.4	8.8	3.2	3.78	0.2	1.6	1.50	1.70
6	6.1	6.5	9.9	3.2	3.78	0.3	1.6	1.50	1.70
8	8.1	8.5	12.7	4.0	4.72	0.5	2.0	1.90	2.10
10	10.2	10.7	16.0	5.0	5.90	0.8	2.5	2.35	2.65
12	12.2	12.7	18.0	5.0	5.90	0.8	2.5	2.35	2.65
14	14.2	14.7	21.1	6.0	7.10	–	3.0	2.80	3.20
16	16.2	17.0	24.4	7.0	8.25	–	3.5	3.30	3.70
18	18.2	19.0	26.4	7.0	8.25	–	2.5	2.30	2.70
20	20.2	21.2	30.6	9.0	10.60	–	4.5	4.30	4.70
22	22.5	23.5	32.9	9.0	10.60	–	4.5	4.30	4.70
24	24.5	25.5	35.9	10.0	11.80	1.6	5.0	4.80	5.20
27	27.5	28.5	38.9	10.0	11.80	1.6	5.0	4.80	5.20
30	30.5	31.7	44.1	12.0	14.20	1.6	6.0	5.80	6.20

All technical data refer to the measure mm

