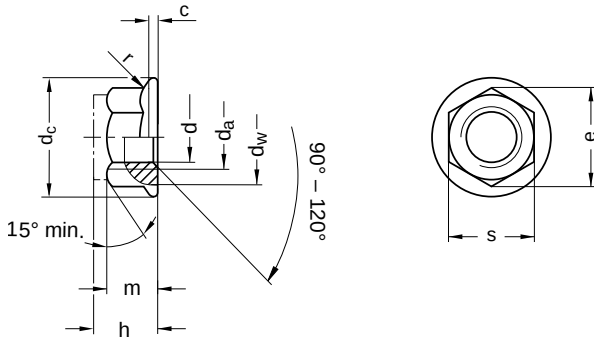


DIN 6927 similar to EN 1664

Hexagon nuts

With flange and clamp | all metal

Steel 8 | zinc-plated | Cr(VI)-free | Metric thread



Diameter (d)	c min.	d _a		d _c max.	d _w min.	h max.	e min.	m min.	r max.	s		Pitch (P)	Tool size
		min.	max.							min.	max.		
M 5	1.0	5	5.75	11.8	9.8	6.2	8.79	4.7	0.30	7.78	8	0.80	SW 8
M 6	1.1	6	6.75	14.2	12.2	7.3	11.05	5.7	0.36	9.78	10	1.00	SW 10
M 8	1.2	8	8.75	17.9	15.8	9.4	14.38	7.6	0.48	12.73	13	1.25	SW 13
M 10	1.5	10	10.80	21.8	19.6	11.4	16.64	9.6	0.60	14.73	15	1.50	SW 15
M 12	1.8	12	13.00	26.0	23.8	13.8	20.03	11.6	0.72	17.73	18	1.75	SW 18
M 14	2.1	14	15.10	29.9	27.6	15.9	23.36	13.3	0.88	20.67	21	2.00	SW 21
M 16	2.4	16	17.30	34.5	31.9	18.3	26.75	15.3	0.96	23.67	24	2.00	SW 24

All technical data refer to the measure mm

