

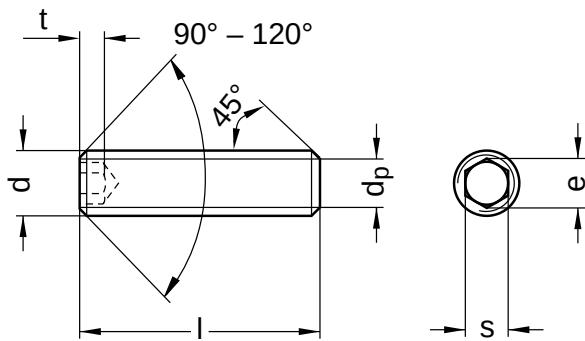
ISO 4026 similar to DIN 913

Set screws

Hexagon socket | flat point

Stainless steel A4 | Cr(VI)-free | Metric thread

Further information: ISO-standard has been withdrawn | Threaded pins are not intended for use under tensile load



Diameter (d)	d _p		e min.	nominal size	s		Pitch (P)	t		Tool size
	min.	max.			min.	max.		min.	max.	
M3	1.75	2.0	1.73	1.5	1.52	1.58	0.50	1.2 2.0	SW 1,5	
M4	2.25	2.5	2.30	2.0	2.02	2.08	0.70	1.5 2.5	SW 2	
M5	3.20	3.5	2.87	2.5	2.52	2.58	0.80	2.0 3.0	SW 2,5	
M6	3.70	4.0	3.44	3.0	3.02	3.08	1.00	2.0 3.5	SW 3	
M8	5.20	5.5	4.58	4.0	4.02	4.10	1.25	3.0 5.0	SW 4	
M10	6.64	7.0	5.72	5.0	5.02	5.14	1.50	4.0 6.0	SW 5	
M12	8.14	8.5	6.86	6.0	6.02	6.14	1.75	4.8 8.0	SW 6	
M16	11.57	12.0	9.15	8.0	8.02	8.18	2.00	6.4 10.0	SW 8	
M20	14.57	15.0	11.43	10.0	10.02	10.18	2.50	8.0 12.0	SW 10	
M24	17.57	18.0	13.72	12.0	12.03	12.21	3.00	10.0 15.0	SW 12	

All technical data refer to the measure mm



ISO 4026 similar to DIN 913

Set screws

Hexagon socket | flat point

Stainless steel A4 | Cr(VI)-free | Metric thread

nominal size	Length (l)	
	min.	max.
3	2.80	3.20
4	3.76	4.24
5	4.76	5.24
6	5.76	6.24
8	7.71	8.29
10	9.71	10.29
12	11.65	12.35
16	15.65	16.35
20	19.58	20.42
25	24.58	25.42

nominal size	Length (l)	
	min.	max.
30	29.58	30.42
35	34.50	35.50
40	39.50	40.50
45	44.50	45.50
50	49.50	50.50
55	54.40	55.60
60	59.40	60.60
70	69.40	70.60
80	79.40	80.60

Diameter (d)	Length (l)																		
	3	4	5	6	8	10	12	16	20	25	30	35	40	45	50	55	60	70	80
M3	●	●	●	●	●	●	●	●											
M4		●	●	●	●	●	●	●	●										
M5			●	●	●	●	●	●	●	●									
M6				●	●	●	●	●	●	●	●								
M8				●	●	●	●	●	●	●	●	●	●						
M10						●	●	●	●	●	●	●	●	●	●				
M12							●	●	●	●	●	●	●	●	●	●	●		
M16								●	●	●	●	●	●	●	●	●	●	●	●
M20									●	●	●	●	●	●	●	●	●	●	●
M24										●	●	●	●	●	●	●	●	●	●

● Combinations available in the eShop | Other sizes on request

All technical data refer to the measure mm

