

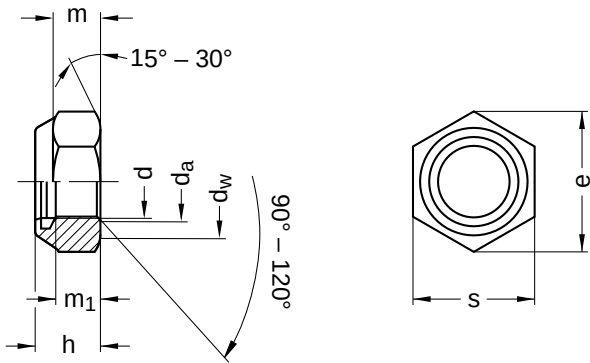
DIN 985 similar to ISO 10511

Hexagon nuts

With clamping part | non-metallic insert | low form

Stainless steel A2 | antiseize as per B 53090 | Cr(VI)-free | Metric thread

Further information: DIN standard has been withdrawn | changed nut height and wrench width



Diameter (d)	d _a		d _w min.	h		m ₁ min.	e min.	m min.	s		Pitch (P)	Tool size
	min.	max.		min.	max.				min.	max.		
M12	12	13.0	17.4	11.57	12	6.6	21.10	8.0	18.67	19	1.75	SW 19
M16	16	17.3	22.5	15.30	16	8.8	26.75	10.5	23.67	24	2.00	SW 24

All technical data refer to the measure mm

