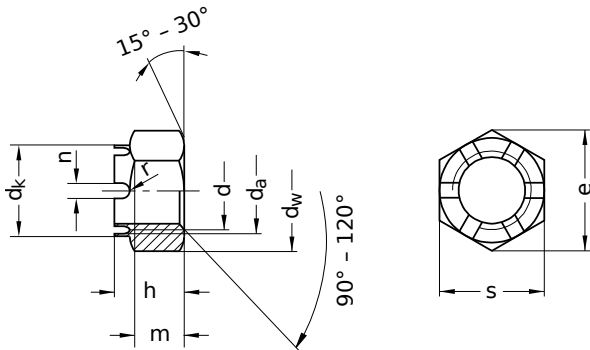


DIN 935
Castle nuts

External hex

Stainless steel A2 | Cr(VI)-free | Metric thread



| Diameter (d) | d _a | | d _k | | d _w | h | | e | m | | n | | s | | Pitch (P) | Tool size |
|-----------------|----------------|-------|----------------|------|----------------|-------|------|-------|-------|------|------|------|-------|------|--------------|--------------|
| | min. | max. | min. | max. | | min. | max. | | min. | max. | min. | max. | min. | max. | | |
| M5 | 5 | 5.75 | – | – | 6.9 | 5.70 | 6.0 | 8.79 | 3.70 | 4 | 1.4 | 1.65 | 7.78 | 8 | 0.80 | SW 8 |
| M6 | 6 | 6.75 | – | – | 8.9 | 7.14 | 7.5 | 11.05 | 4.70 | 5 | 2.0 | 2.25 | 9.78 | 10 | 1.00 | SW 10 |
| M10 | 10 | 10.80 | – | – | 14.6 | 11.57 | 12.0 | 17.77 | 7.64 | 8 | 2.8 | 3.05 | 15.73 | 16 | 1.50 | SW 17 |
| M12 | 12 | 13.00 | 15.57 | 16 | 16.6 | 14.57 | 15.0 | 20.03 | 9.64 | 10 | 3.5 | 3.80 | 17.73 | 18 | 1.75 | SW 19 |
| M16 | 16 | 17.30 | 21.48 | 22 | 22.5 | 18.48 | 19.0 | 26.75 | 12.57 | 13 | 4.5 | 4.80 | 23.67 | 24 | 2.00 | SW 24 |
| M18 | 18 | 19.50 | 24.30 | 25 | 24.9 | 20.16 | 21.0 | 29.56 | 14.57 | 15 | 4.5 | 4.80 | 26.16 | 27 | 2.50 | SW 27 |
| M20 | 20 | 21.60 | 27.30 | 28 | 27.7 | 21.16 | 22.0 | 32.95 | 15.57 | 16 | 4.5 | 4.80 | 29.16 | 30 | 2.50 | SW 36 |
| M22 | 22 | 23.80 | 31.00 | 32 | 31.4 | 25.16 | 26.0 | 37.29 | 17.57 | 18 | 5.5 | 5.80 | 33.00 | 34 | 2.50 | SW 34 |
| M27 | 27 | 29.20 | 37.00 | 38 | 38.0 | 29.16 | 30.0 | 45.20 | 21.48 | 22 | 5.5 | 5.80 | 40.00 | 41 | 3.00 | SW 41 |
| M30 | 30 | 32.40 | 41.00 | 42 | 42.7 | 32.00 | 33.0 | 50.85 | 23.48 | 24 | 7.0 | 7.36 | 45.00 | 46 | 3.50 | SW 46 |

All technical data refer to the measure mm

