

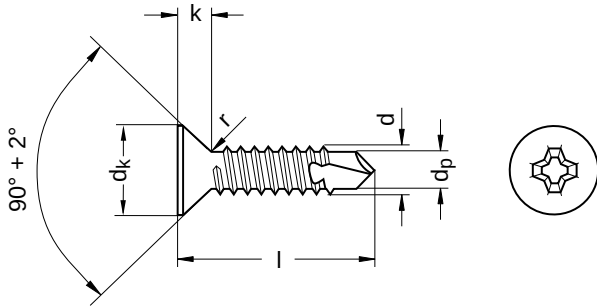
**DIN 7504 O** similar to ISO 15482

## Self-drilling screws

Form O: countersunk head according to DIN ISO 7050 | cross-slot phillips

Steel | zinc-plated | Cr(VI)-free | Thread type ST (sheet metal)

Further information: DIN-standard has been withdrawn



Diameter (d)	Drilling range starting	Sheet metal thickness up to	dk		dkp max.	k max.	r max.	Tool size
			min.	max.				
2.9	0.70	1.90	5.2	5.5	2.3	1.70	1.2	H1
3.5	0.70	2.25	6.9	7.3	2.8	2.35	1.4	H2
4.2	1.75	3.00	8.0	8.4	3.6	2.60	1.6	H2
4.8	1.75	4.40	8.9	9.3	4.1	2.80	2.0	H2
5.5	1.75	5.25	9.9	10.3	4.8	3.00	2.2	H2
6.3	2.00	6.00	10.9	11.3	5.8	3.15	2.4	H2

nominal size	Length (l)	
	min.	max.
13	12.10	13.90
16	15.10	16.90
19	18.00	20.00
22	21.00	23.00
25	24.00	26.00
32	30.75	33.25

nominal size	Length (l)	
	min.	max.
38	36.75	39.25
45	43.75	46.25
50	48.75	51.25

Diameter (d)	Length (l)								
	13	16	19	22	25	32	38	45	50
2.9	●	●	●						
3.5	●	●	●	●	●				
4.2	●		●	●	●	●	●		
4.8		●	●	●	●	●	●	●	●
5.5					●	●	●	●	●
6.3						●	●	●	●

• Combinations available in the eShop | Other sizes on request

All technical data refer to the measure mm

