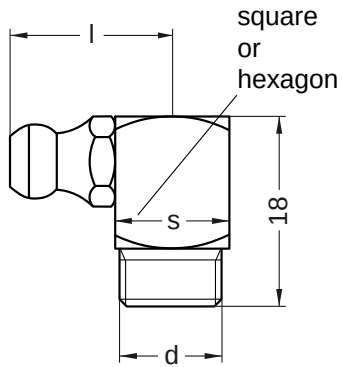


**DIN 71412 C**

**Conical grease nipple**

Form C: 90° head position

Steel 5.8 | zinc-plated | Cr(VI)-free | Metric conical thread



Diameter (d)	s nominal size	Pitch (P)	Length (l) nominal size
M6 x 1	9	1	14.3
M8 x 1	9	1	14.3
M10 x 1	11	1	15.3

All technical data refer to the measure mm

