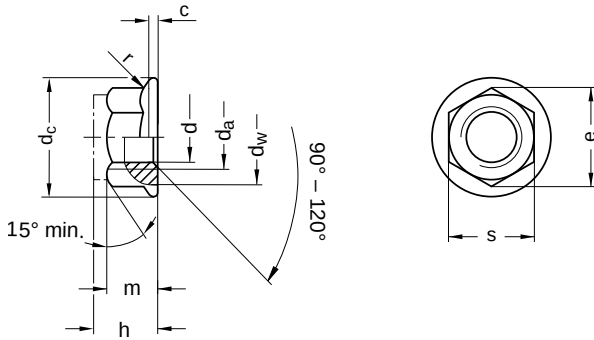


**DIN 6927** similar to EN 1664

## Hexagon nuts

With flange and clamp | all metal

Steel 8 | zinc-plated | Cr(VI)-free | Metric thread



Diameter (d)	c min.	d <sub>a</sub>		d <sub>c</sub> max.	d <sub>w</sub> min.	h max.	e min.	m min.	r max.	s		Pitch (P)	Tool size
		min.	max.							min.	max.		
M5	1.0	5	5.75	11.8	9.8	6.2	8.79	4.7	0.30	7.78	8	0.80	SW 8
M6	1.1	6	6.75	14.2	12.2	7.3	11.05	5.7	0.36	9.78	10	1.00	SW 10
M8	1.2	8	8.75	17.9	15.8	9.4	14.38	7.6	0.48	12.73	13	1.25	SW 13
M10	1.5	10	10.80	21.8	19.6	11.4	16.64	9.6	0.60	14.73	15	1.50	SW 15
M12	1.8	12	13.00	26.0	23.8	13.8	20.03	11.6	0.72	17.73	18	1.75	SW 18
M14	2.1	14	15.10	29.9	27.6	15.9	23.36	13.3	0.88	20.67	21	2.00	SW 21
M16	2.4	16	17.30	34.5	31.9	18.3	26.75	15.3	0.96	23.67	24	2.00	SW 24

All technical data refer to the measure mm

