

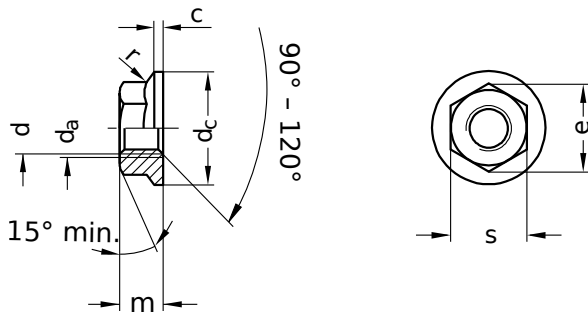
**DIN 6923** similar to EN 1661

## Hexagon nuts

With flange

Steel 8 | zinc-plated | Cr(VI)-free | Metric thread

Further information: DIN-standard has been withdrawn | changed spanner widths at M10 from 15 mm to 16 mm



Diameter (d)	c		d <sub>a</sub>		d <sub>c</sub>	e		r	s		Pitch (P)	Tool size
	min.	min.	max.	max.	min.	min.	max.	min.	max.			
M5	1.0	5	5.75	11.8	8.79	4.7	5	0.30	7.78	8	0.80	SW 8
M6	1.1	6	6.75	14.2	11.05	5.7	6	0.36	9.78	10	1.00	SW 10
M8	1.2	8	8.75	17.9	14.38	7.6	8	0.48	12.73	13	1.25	SW 13
M10	1.5	10	10.80	21.8	16.64	9.6	10	0.60	14.73	15	1.50	SW 15
M12	1.8	12	13.00	26.0	20.03	11.6	12	0.72	17.73	18	1.75	SW 18
M16	2.4	16	17.30	34.5	26.75	15.3	16	0.96	23.67	24	2.00	SW 24

All technical data refer to the measure mm

