

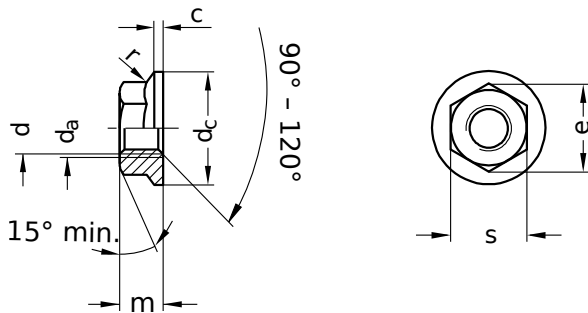
DIN 6923 similar to EN 1661

Hexagon nuts

With flange

Stainless steel A4 | Cr(VI)-free | Metric thread

Further information: DIN-standard has been withdrawn | changed spanner widths at M10 from 15 mm to 16 mm



Diameter (d)	c		d _a		d _c	e		r	s		Pitch (P)	Tool size
	min.	min.	max.	max.	min.	min.	max.	max.	min.	max.		
M6	1.1	6	6.75	14.2	11.05	5.7	6	0.36	9.78	10	1.00	SW 10
M8	1.2	8	8.75	17.9	14.38	7.6	8	0.48	12.73	13	1.25	SW 13
M10	1.5	10	10.80	21.8	16.64	9.6	10	0.60	14.73	15	1.50	SW 15

All technical data refer to the measure mm

