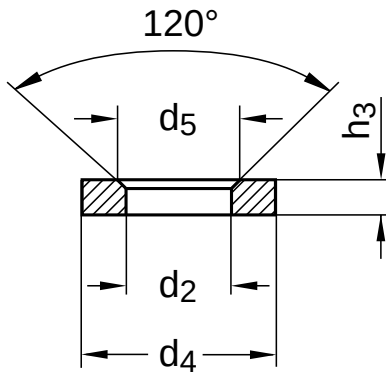


DIN 6319 D

Conical cups

Form D: with $d_4 = d_3$ | hardened

Steel | bright | Cr(VI)-free



Diameter (d)	d ₂ nominal size	d ₄	d ₅	h ₃ nominal size
7.1	7.1	12	11.0	2.8
9.6	9.6	17	14.5	3.5
12	12	21	18.5	4.2
14.2	14.2	24	20.0	5.0
19	19	28	26.0	5.6
23.2	23.2	30	31.0	6.2
28	28	36	37.0	7.5
35	35	44	49.0	9.5
42	42	56	60.0	12.0
49	49	68	70.0	15.0

All technical data refer to the measure mm

