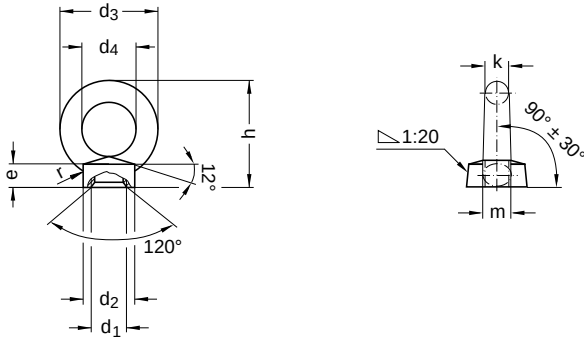


**DIN 582**  
**Eye nuts**

Round ring

Steel C 15E | zinc-plated | Cr(VI)-free | Metric thread



Diameter (d)	d <sub>2</sub>			d <sub>3</sub>			d <sub>4</sub>	e		
	nominal size	min.	max.	nominal size	min.	max.		nominal size	max.	min.
M6	20	19.5	20.9	36	35.5	37.1	20	8.5	9.4	8.0
M8	20	19.5	20.9	36	35.5	37.1	20	8.5	9.4	8.0
M10	25	24.5	25.9	45	44.5	46.1	25	10.0	10.9	9.5
M12	30	29.5	30.9	54	53.5	55.1	30	11.0	11.9	10.5
M16	35	34.5	36.1	63	62.5	64.1	35	13.0	13.9	12.5
M20	40	39.5	41.1	72	71.5	73.1	40	16.0	16.9	15.5
M24	50	49.4	51.2	90	89.4	91.2	50	20.0	21.1	19.5
M30	65	64.3	66.3	108	107.3	109.5	60	25.0	26.2	24.4
M33	75	74.3	76.5	126	125.2	127.7	70	30.0	31.3	29.3
M42	85	84.3	86.5	144	143.2	145.7	80	35.0	36.5	34.3
M48	100	99.2	101.7	166	164.9	168.1	90	40.0	41.7	39.2

Diameter (d)	h			k			m			r	Pitch (P)
	nominal size	min.	max.	nominal size	min.	max.	nominal size	min.	max.		
M6	36	35.5	37.1	8	7.5	8.9	10	9.5	10.9	4	1.00
M8	36	35.5	37.1	8	7.5	8.9	10	9.5	10.9	4	1.25
M10	45	44.5	46.1	10	9.5	10.9	12	11.5	12.9	4	1.50
M12	53	52.5	54.1	12	11.5	12.9	14	13.5	14.9	6	1.75
M16	62	61.5	63.1	14	13.5	14.9	16	15.5	16.9	6	2.00
M20	71	70.5	72.1	16	15.5	16.9	19	18.5	19.9	8	2.50
M24	90	89.4	91.2	20	19.5	21.1	24	23.5	25.1	12	3.00
M30	109	108.3	110.5	24	23.4	25.2	28	27.4	29.2	15	3.50
M33	128	127.2	129.7	28	27.3	29.3	32	31.3	33.3	18	3.50
M42	147	146.2	148.7	32	31.3	33.3	38	37.3	39.5	20	4.50
M48	168	166.9	170.1	38	37.2	39.7	46	45.2	47.7	22	5.00

All technical data refer to the measure mm

