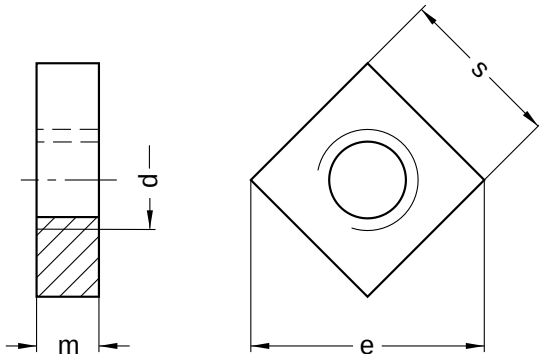


DIN 562
Square nuts

Low form

Steel 04 | zinc-plated | Cr(VI)-free | Metric thread



Diameter (d)	e		m		s		Pitch (P)
	min.	max.	min.	max.	min.	max.	
M3	7.0	1.40	1.8	5.20	5.5	0.50	
M4	8.9	1.80	2.2	6.64	7.0	0.70	
M5	10.2	2.30	2.7	7.64	8.0	0.80	
M6	12.7	2.72	3.2	9.64	10.0	1.00	
M8	16.5	3.52	4.0	12.57	13.0	1.25	
M10	20.2	4.52	5.0	15.57	16.0	1.50	

All technical data refer to the measure mm

