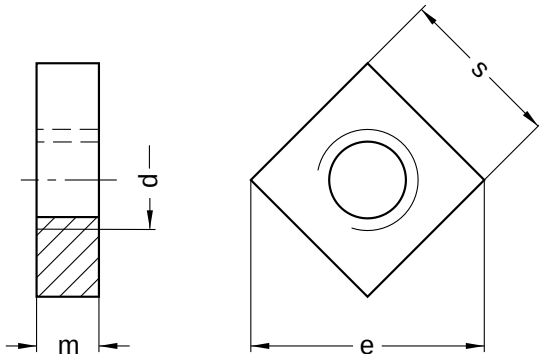


DIN 562
Square nuts

Low form

Stainless steel A4 | Cr(VI)-free | Metric thread



Diameter (d)	e		m		s		Pitch (P)
	min.	max.	min.	max.	min.	max.	
M3	7.0	1.40	1.8	5.20	5.5	0.50	
M4	8.9	1.80	2.2	6.64	7.0	0.70	
M5	10.2	2.30	2.7	7.64	8.0	0.80	
M6	12.7	2.72	3.2	9.64	10.0	1.00	
M8	16.5	3.52	4.0	12.57	13.0	1.25	

All technical data refer to the measure mm

