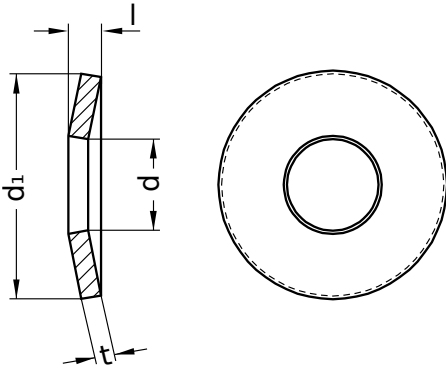


DIN 2093 B
Disc springs

Series B

Stainless steel A2 | Cr(VI)-free



Diameter (d)	d ₁ nominal size	t nominal size	Length (l) nominal size
4.2	8	0.30	0.55
5.2	10	0.40	0.70
6.2	12.5	0.50	0.85
8.2	16	0.60	1.05
9.2	18	0.70	1.20
10.2	20	0.80	1.35
12.2	25	0.90	1.60
14.2	28	1.00	1.80
16.3	31.5	1.25	2.15
18.3	35.5	1.25	2.25
20.4	40	1.50	2.65

All technical data refer to the measure mm

