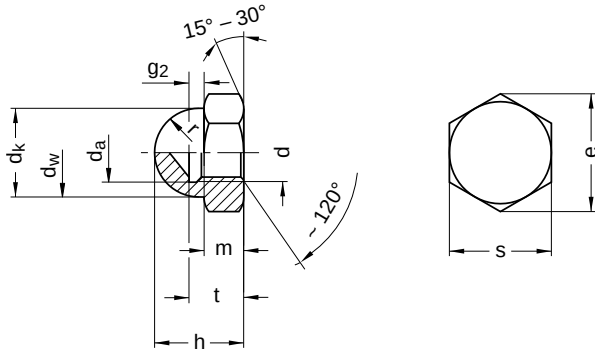
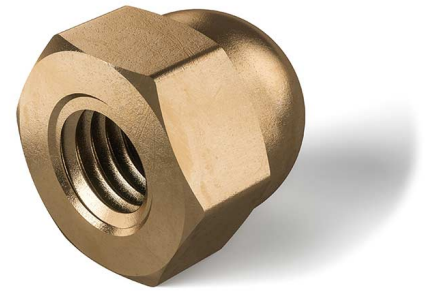


DIN 1587
Hexagon cap nuts

High form

Brass | Cr(VI)-free | Metric thread



Diameter (d)	d _a		d _k	d _w	e	g ₂	h	m		r	s		Pitch (P)	t		Tool size
	min.	max.	max.	min.	min.	max.	max.	min.	max.	nominal size	max.	min.		max.	min.	
M4	4	4.60	6.5	5.9	7.50	–	8	2.90	3.2	3.25	7	6.64	0.70	5.74	5.26	SW 7
M5	5	5.75	7.5	6.9	8.63	–	10	3.70	4.0	3.75	8	7.64	0.80	7.79	7.21	SW 8
M6	6	6.75	9.5	8.9	10.89	–	12	4.70	5.0	4.75	10	9.64	1.00	8.29	7.71	SW 10
M8	8	8.75	12.5	11.6	14.20	–	15	6.14	6.5	6.25	13	12.57	1.25	11.35	10.65	SW 13
M10	10	10.80	15.0	14.6	17.59	–	18	7.64	8.0	7.5	16	15.57	1.50	13.35	12.65	SW 16
M12	12	13.00	17.0	16.6	19.85	6.4	22	9.64	10.0	8.5	18	17.57	1.75	16.35	15.65	SW 18
M14	14	15.10	20.0	19.6	22.78	7.3	25	10.30	11.0	10	21	20.16	2.00	18.35	17.65	SW 21
M16	16	17.30	23.0	22.5	26.17	7.3	28	12.30	13.0	11.5	24	23.16	2.00	21.42	20.58	SW 24
M20	20	21.60	28.0	27.7	32.95	9.3	34	14.90	16.0	14	30	29.16	2.50	26.42	25.58	SW 30
M24	24	25.90	34.0	33.3	39.55	10.7	42	17.70	19.0	17	36	35.00	3.00	31.50	30.50	SW 36

All technical data refer to the measure mm

