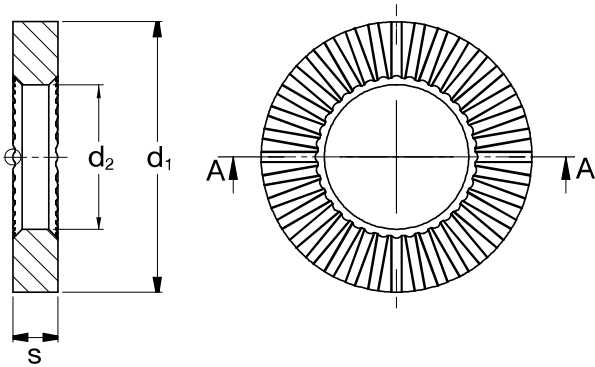


B 53065
RIPP LOCK® self-locking washers

With standard external diameter | ribbed on both sides

Stainless steel A4 | Cr(VI)-free



Diameter (d)	b max.	d ₁		d ₂		nominal size	s	
		min.	max.	min.	max.		min.	max.
4	5.0	8.60	9	4.3	4.50	2.0	2.0	2.1
5	6.0	9.60	10	5.3	5.50	2.0	2.0	2.1
6	8.0	11.57	12	6.4	6.62	2.0	2.0	2.2
8	10.0	15.57	16	8.4	8.62	2.5	2.5	2.7
10	12.1	19.48	20	10.5	10.77	2.5	2.5	2.7
12	14.1	23.48	24	12.5	12.77	3.0	3.0	3.3
16	18.1	29.48	30	16.5	16.77	4.0	4.0	4.3

All technical data refer to the measure mm

