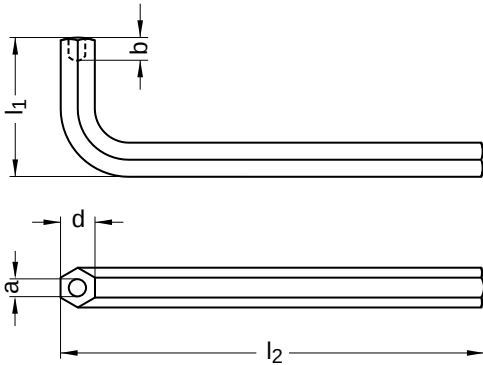


B 50502

Hexagon socket screw key

For safety screws (B 50500)

Steel 10.9 | bright | Cr(VI)-free



Diameter (d)	a		b		l ₁	l ₂	Tool size
	nominal size	max.	nominal size	max.			
2.5	1.3	1.4	3	3.5	18	56	SW 2,5
3	1.8	1.9	4	4.5	20	65	SW 3

All technical data refer to the measure mm

